

Descriptions

The unit loads your dual-track production line automatically by pushing PCB's out of a magazine onto the conveyor of the downstream machine.

Standard features

- Panasonic PLC Program control.
- Selectable pitch settings.
- Towerlight display for machine status.
- Ball screw driven positioning of shuttle conveyor.
- Flexible platform to suit standard magazines.
- Regulated pressure on attached pneumatic pusher.
- Pusher position adjustable to centre of the magazine.
- Automatic magazine alignment by upper and lower pneumatic clamping.
- SMEMA compatible.

Technical specifications

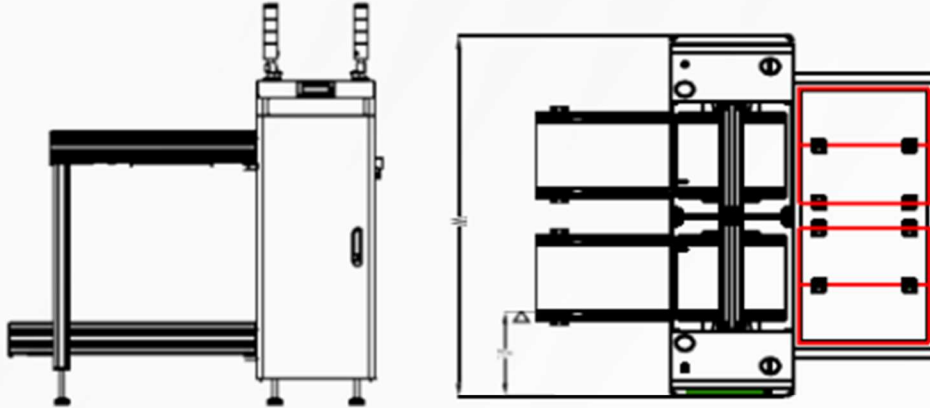
- Transport height: 910mm ±30mm
- Transfer direction: Left to right
- Operation side: Front of the machine
- Fixed rail: Front of the machine
- Interface: SMEMA
- Conveyor concept: ESD flat belt
- Belt speed: 16m/min
- PCB edge support: 4mm
- Components clearance: Top 30 mm, bottom 30 mm (depends on pitch)
- Power supply: 230 VAC/50 Hz/1 Ph
- Power consumption: 350VA max. or specify
- Air supply: 4-6 bar
- Air consumption: 10 ltr/min max.
- PCB loading time: ±6 seconds
- Magazine change-over time: ±30 seconds
- Pitch distance: 10.20.30.40mm pitch or specify.
- Maximum total magazine weight: 50kg each or specify

Options

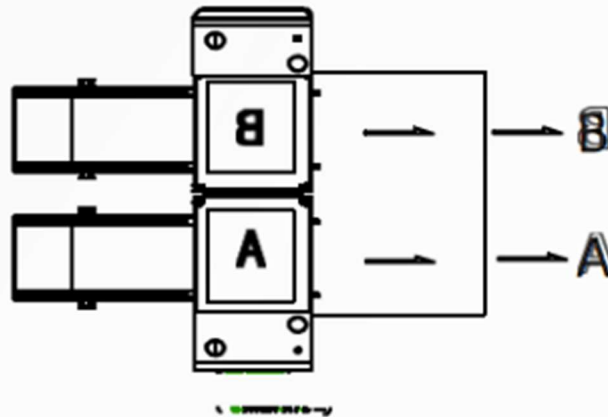
- Width adjustable magazine conveyor(s).
- Additional magazine capacity.
- Enclosed construction improve level of Safety
- Other options available on request.



Structure



Schematic



Model No	TN-BL250D	TN-BL330D	TN-BL390D	TN-BL460D
Machine Dimension (L x W x H)	2110 x 1560 x 1200mm	2310 x 1630 x 1200mm	2550 x 1760 x 1200mm	2550 x 1900 x 1200mm
Weight	242kg	262kg	282kg	302kg
PCB L x W (Min~Max)	(60 x 60)~(350 x 250)mm	(60 x 60)~(450 x 330)mm	(60 x 60)~(530 x 330)mm	(60 x 60)~(530 x 460)mm
PCB Thickness	0.6mm - 4.5mm	0.6mm - 4.5mm	0.6mm - 4.5mm	0.6mm - 4.5mm
Fixed rail to front dimension(A)	350mm	350mm	350mm	350mm

Customized is available